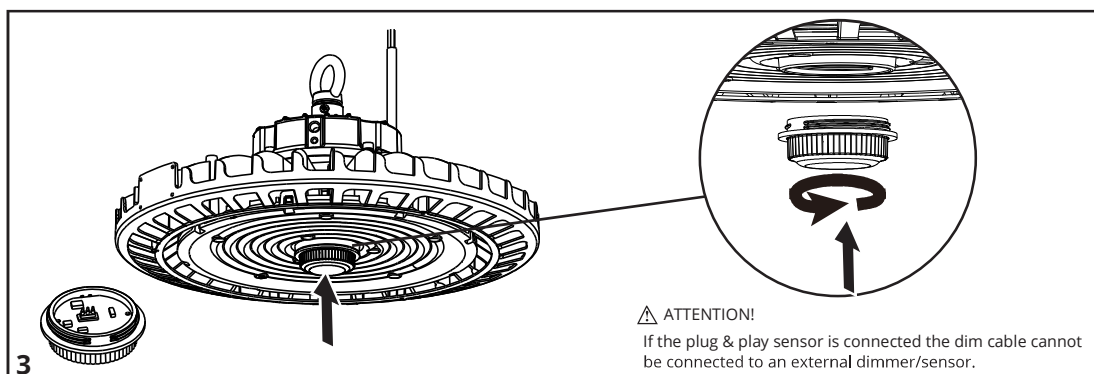
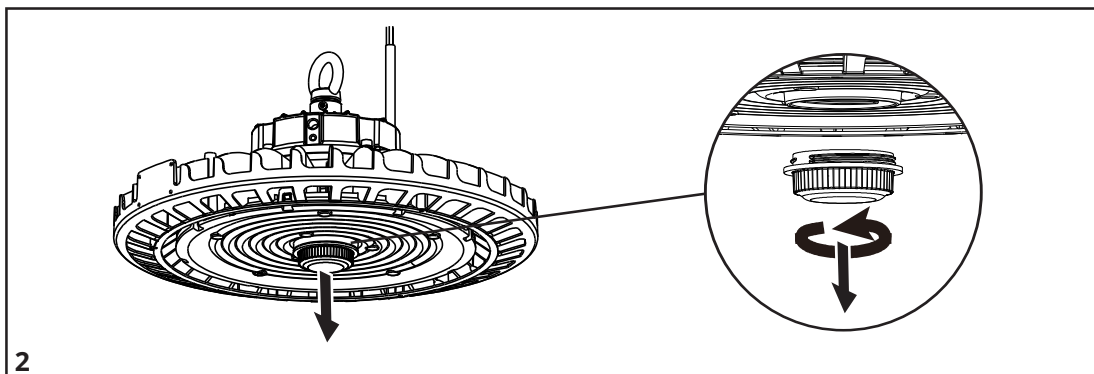
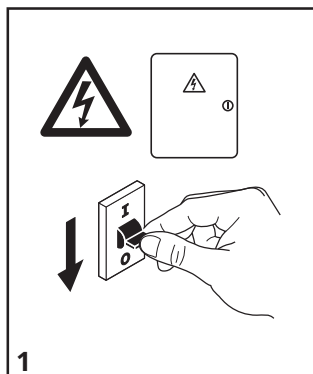


**⚠ Accessories needs to be ordered separately**

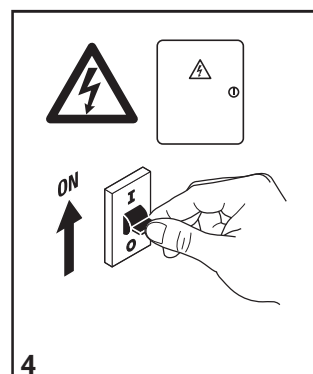
**⚠ 1 Remote control must be ordered separately to configure the sensor settings. Each sensor/luminaire must be separately set with the remote control.**

Item Description	Article number
LED Highbay Storm G2 Sensor PIR	1000442
LED Highbay Storm G2 Sensor Remote Control	1000459

### Installation



**⚠ ATTENTION!**  
If the plug & play sensor is connected the dim cable cannot be connected to an external dimmer/sensor.



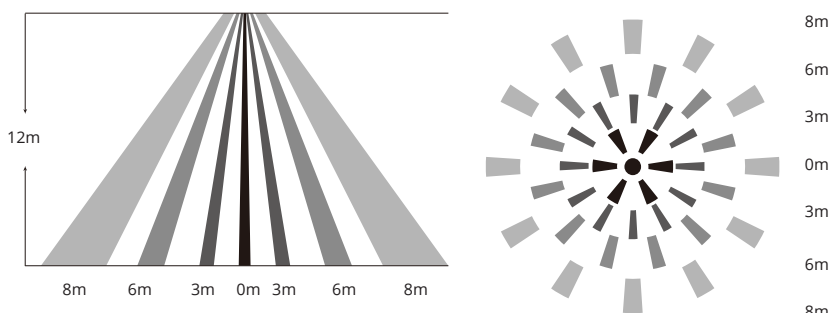
### Technical Data - Sensor PIR

Operating voltage	10.5-15VDC
Operating current	30mA±5%
Stand-by power	≤0.5W
Detection area	25%/50%/75%/100%
Hold time	5s/30s/1min/3min/5min/10min/20min/30min
Daylight threshold (ON-OFF)	6-18Lux(10Lux) / 20-45Lux(30Lux) / 30-70Lux(50Lux) / 60-100Lux(80Lux) / 90-155Lux(120Lux) / Disable
Stand-by period	0s/10s/30s/1min/5min/10min/30min/+∞
Stand-by dimming level	10%/20%/30%/50%
PIR Wave Length	5-14um
Mounting height	Max. 12m (ceiling mounted)
Detection angle	120°
Detection range	Max.∅16m (ceiling mounted)
Operating temperature	-20°C~+60°C
Motion detection	0.5-1.5m/s

#### Factory default settings:

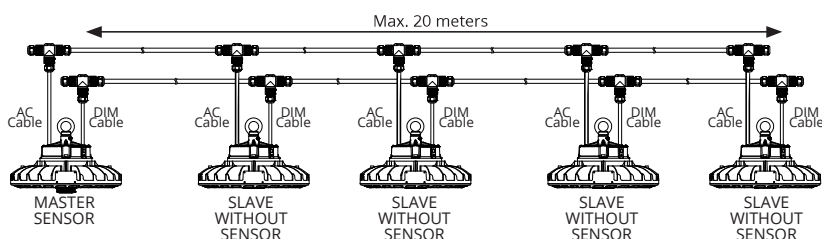
Detection area	100%
Hold time	5s
Daylight threshold	Disable
Stand-by period	0s
Stand-by dimming level	10%

### Detection range (100% sensitivity)



### Master-Slave function

**⚠ 1 Sensor can control up to 5 luminaires. The maximum length between the master and the last slave should NOT exceed 20 meters.**



Max. 5 luminaires  
Page 4 of 7

### Remote Control

#### ON/OFF

The "ON/OFF" button acts as a switch, it turns the luminaire on or off.\* Press the "Auto Mode", "RESET" or "Apply" buttons to exit this mode.

#### Auto Mode

If the "Auto Mode" button is pressed, the sensor starts working under the last saved settings.



#### Detection area

Press the button "detection range" to set detection range as 100% / 75% / 50% / 10%.



#### Hold-time

Press the button "hold-time" to set hold-time as 5s / 30s / 1min / 3min / 5min / 10min / 15min / 30min



#### Stand-by dimming level

Press the button "stand-by dimming level" to set the stand-by dimming level as 10% / 20% / 30% / 50%.



#### Stand-by period

Press the button "stand-by period" to set stand-by period as 0s / 10s / 30s / 1min / 5min / 10min / 30min / +∞

Note: "0s" means no standby period; "+∞" means infinite standby period.



#### Daylight threshold

Press the button "daylight sensor" to set daylight threshold as (ON-OFF): 6-18Lux(10Lux) / 20-45Lux(30Lux) / 30-70Lux(50Lux) / 60-100Lux(80Lux) / 90-155Lux(120Lux) / Disable

Note: Disable means light will be turned on once the sensor detects movement, regardless of the ambient daylight lux levels.

Flick after press any button

Flick only after press "Apply" button

#### Reset

Press the "RESET" button to reset all the settings to the Factory settings (100% detection range, hold time 5S, no stand-by time and daylight threshold disabled)

#### Brightness +/-

Brightness function is NOT available

#### Start

Press "Start" to customize the scene, users can adjust the detection range, daylight threshold, holdtime, standby dimming level and standby period.

#### Memory

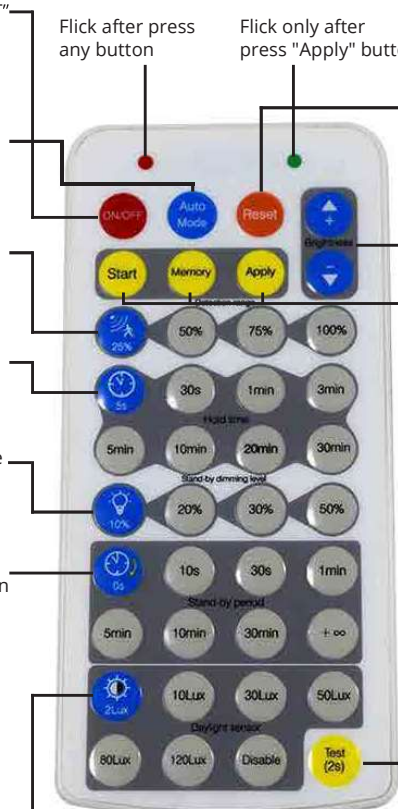
Press "Memory" to save all the settings.

#### Apply

1-Press "Apply" to enforce the saved values.  
2-If the "Apply" button is pressed without memorizing all the settings, the values will deliver as only one-time operation.

#### Test (2s)

The button "Test (2s)" is for testing purpose after commissioning. If the button is pressed, the sensor goes on test mode (hold time is only 2s) automatically, stand-by period and daylight sensor are disabled.



#### STEPS

- 1 - Press the "Start" button.
- 2 - Select the desired settings (Detection area / Hold-time / Stand-by dimming level / Stand-by period / Daylight threshold).
- 3 - Press "Memory" to save all the settings.
- 4 - Press "Apply" to enforce the settings.
- 5 - If you want to apply the same sensor settings to the other luminaires with sensor point the remote control to the other luminaires with sensor and press "Apply".

#### Notes

- 1 - Settings will be saved automatically and remain until the reset button is pressed again.
- 2 - Light will flicker when setting each parameter.
- 3 - 1 Remote control must be ordered separately to configure the sensor settings.
- 4 - Each sensor/luminaire must be separately set with the remote control.



### Warning

- Only qualified electrician is allowed to do installation, maintenance and inspection for safety concern. It is dangerous for non-professional operators.
- Power should be cut off before installation, maintenance or inspection.
- Please install and use the product strictly according to the instruction.
- Do not disassemble or remold the product at will to avoid accident of electric shock or light falling.
- Working out of temperature range of -30 ~ +50 will shorten the lifetime of the product.